

# **CENTRIFUGAL FERTILIZER SPREADER MOD. P - PL**

---

OWNERS' MANUAL

 Read the Operator's manual entirely before using the machine 

## **ABONADORA CENTRÍFUGA TRANSPORTADA MOD. P - PL**

---

MANUAL DE USO Y MANTENIMIENTO

 Leer atentamente este Manual antes del empleo de la máquina 



TRADE MARK

---



**COSMO s.r.l.**

Loc. Roata Raffo, 64

12022 BUSCA - Cuneo - ITALY

Tel. +39 0171 946654/946655 • Fax +39 0171 946723

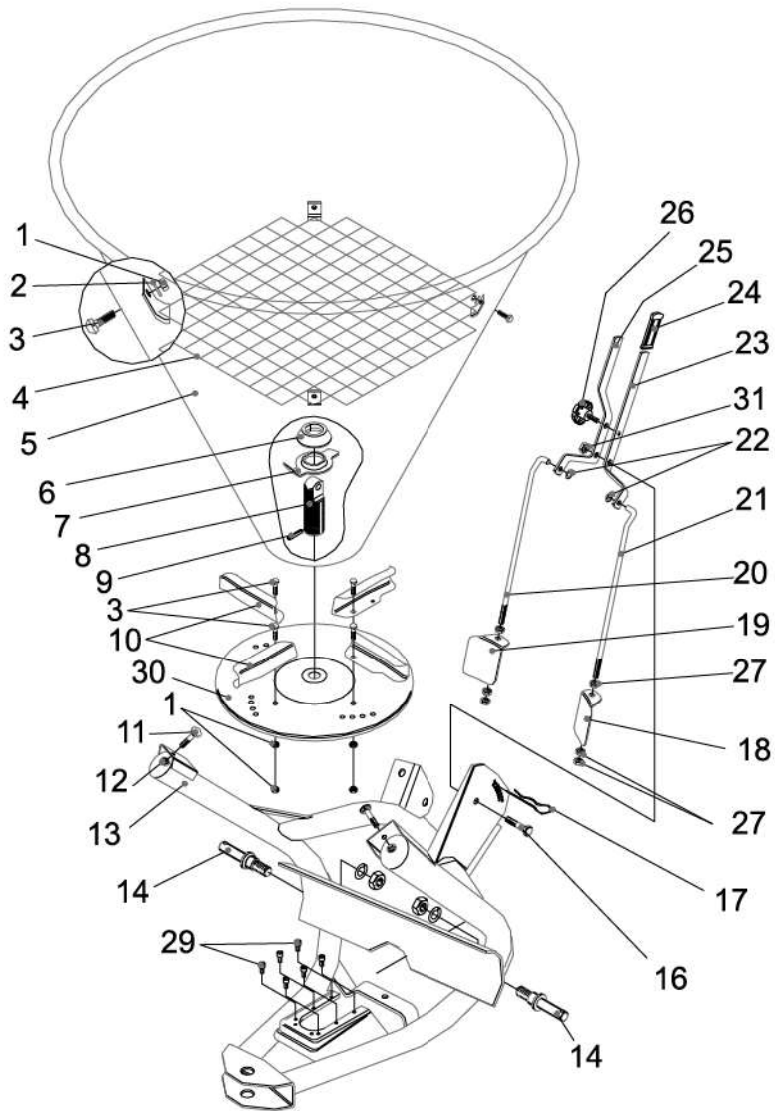
[www.cosmosrl.com](http://www.cosmosrl.com) • [imcosmo@cosmosrl.com](mailto:imcosmo@cosmosrl.com)

---

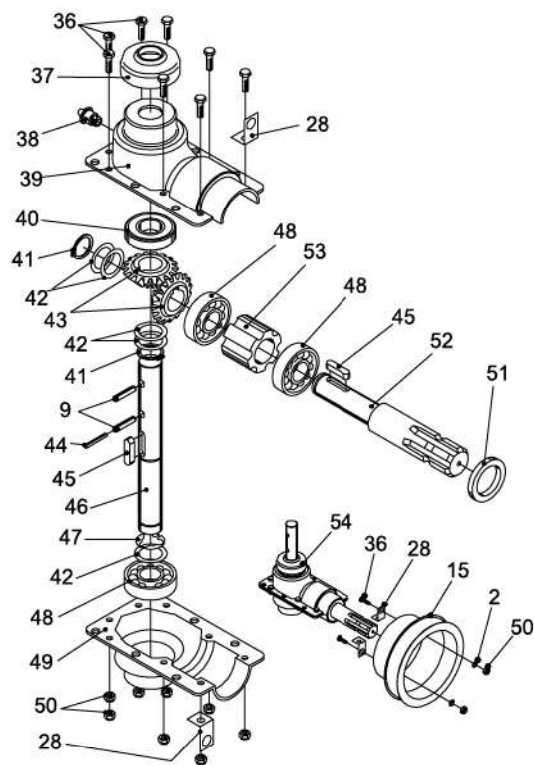
---

## 8. PARTS BREAKDOWN

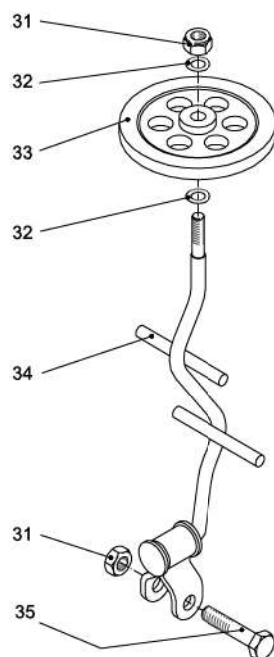
Table 01



**Table 02**



**Table 03**



POS.	QTY	CODE	DESCRIPTION
1	4	301.012	NUT M8 UNI 5588
1	4	301.012	NUT M8 UNI 5588 for protective grate
2	4	303.007	WASHER 8X17 UNI 6592
2	4	303.007	WASHER 8X17 UNI 6592 for protective grate
3	4	300.030	ROUNDHEADED SCREW 8X16 UNI 5731
3	4	300.030	ROUNDHEADED SCREW 8X16 UNI 5731 for protective grate
4	1	642.001	PROTECTIVE GRATE
5	1	609.013	HOPPER 500
5	1	609.012	HOPPER 400
5	1	609.011	HOPPER 300
5	1	609.010	HOPPER 250
5	1	609.008	HOPPER 180
6	1	304.013	RUBBER RING
7	1	619.002	LOWER AGITATOR
8	1	330.001	ENTRAINER
9	2	305.001	SPRING PIN 8X40
10	4	601.001	DISTRIBUTOR VANE
11	3	300.023	ROUNDHEADED SCREW 10X20 UNI 5731
12	3	301.010	NUT M10 UNI 5588
13	1	613.003	NEW FRAME "P" without lower link pins
14	2	633.001	LOWER LINK PIN
15	1	304.006	CE SHIELD
16	1	300.024	HEXAGONAL-HEAD SCREW 12x35 UNI 5739
17	1	307.001	SPLIT PIN 4,5
18	1	605.004	LEFT SHUTTER
19	1	605.003	RIGHT SHUTTER
20	1	602.001	RIGHT TIE ROD
21	1	602.002	LEFT TIE ROD
22	2	303.009	WASHER 10,5X21 UNI 6592
23	1	604.002	LEFT LEVER
24	1	304.008	RUBBER GRIP
25	1	604.001	RIGHT LEVER
26	1	302.003	LEVER LOCK KNOB
27	6	301.014	NUT M10 UNI 5589
28	2	606.012	BRACKET FOR GEAR BOX "CE"
29	6	300.014	CHEESE-HEADED SCREW 8x16 UNI 5931
30	1	610.003	SPREADER DISC without distributor vanes
	1	610.001	SPREADER DISC with distributor vanes
	1	610.013	STAINLESS STEEL SPREADER DISC without distributor vanes
	1	610.014	STAINLESS STEEL SPREADER DISC with distributor vanes

POS.	QTY	CODE	DESCRIPTION
31	1+2	301.008	SELF LOCKING NUT M12
32	2	303.026	WASHER 13X25 UNI 6592
33	1	304.011	BUFFER WHEEL
34	1	613.009	UPPER AGITATOR FRAME
35	1	300.025	HEXAGONAL-HEAD SCREW 12x55 UNI 5737
36	8	300.026	HEXAGONAL-HEAD SCREW 6x16 UNI 5739
37	1	304.002	OUTPUT SHAFT COWLING
38	1	306.002	GREASE NIPPLE M8
39	1	314.002	UPPER SHELL
40	1	310.001	BALL BEARING 6205 2RS
41	2	313.011	SPING-LOCK RING
42	5	303.011	WASHER 25X35X0,5 DIN 988
43	2	316.003	PINION
44	1	305.003	SPRING PIN 5X40
45	2	326.003	SPLINE KEY 8X7X20 UNI 6604
46	1	323.009	OUTPUT SHAFT
47	1	313.010	SPLIT RING
48	3	310.002	BALL BEARING 6205
49	1	314.001	LOWER SHELL
50	8	301.009	SELF LOCKING NUT M6
51	1	309.001	OIL SEAL
52	1	323.008	INPUT SHAFT
53	1	329.011	SPACER
54	1	322.002	GEAR BOX
55	2	300.029	HEXAGONAL-HEAD SCREW 8X20 UNI 5739
56	5	301.012	NUT M8 UNI 5588
57	3	303.013	WASHER 8X24 UNI 6593
58	1	606.009	SUPPORT BRACKET
59	1	606.010	SHEET GUARD
60	1	311.001	PTO SHAFT RS1 510
		619.004	AGITATOR
		618.006	LEVER GROUP ASSEMBLED
		618.001	RIGHT LEVER ASSEMBLED
		618.002	LEFT LEVER ASSEMBLED
		301.015	SACK WITH BOLTS AND NUTS
		900.001	OWNER'S MANUAL SPARE PARTS
		206.004	GUARD FOR SPREADER DISC
		308.099	BIG COSMO LABEL
		308.107	SPREADING CHART KG.
		308.108	SPREADING CHART LBS
		308.109	LABEL FOR PTO SHAFT CARE
			NUMBER LABEL
		308.192	ROTATION CARE LABEL